

MODEL T300



THROUGH CONDUCT KNIFE GATE VALVE

The model 300 is a bidirectional wafer type knife gate valve with a central round shaped through going "o" ported knife. This design secures a really safe and total shut-off against static and highly concentrated pulps. Reliable valve for severe operating conditions media and pressure.

Application fields such as:

- Paper pulp
- Bulk handling
- Powerplants
- Chemical industry
- Mining
- Biomass

Sizes: DN 150 to DN 600 (Bigger sizes on request)

Working pressure: DN 50 to DN 250: 10 bar
DN 300 to DN 450: 6 bar
DN 500 to DN 600: 4 bar

Standard flange connection: EN1092 PN 10/16 (others on request)
ANSI B16.5 (others on request)

Directives:

- 2006/42/EC (machines)
- 2014/68/EU (PED). Fluid: Group 2 (Cat. I. mod. A)
- 2014/34/EU (ATEX) (contact sales department)

* RAL 5015 blue coating on carbon steel components.
(Specific RALs under demand)

* Higher pressure conditions, please check with the manufacturer.

* All valves are tested according to UNE-EN 12266-1.

DESIGN FEATURES

Main features:

- Short FTF dimensions as per manufacturer standard. Other standards such as DIN3202 K1 and MSS-SP-81 under demand.
- 100% full bore valve, water tight in two directions.
- Internal polyethylene sliders included in the body for better gate maneuverability. (Stainless steel version)

Body:

- Two pieces splitted body design in different materials A216WCB, CF8M, CF8, 654SMO, SAF2505, SAF2507, UB6 / 904L....

Gate

- Through-going "o" ported stainless steel both sides polished gate for high consistency pulps.

Seat:

- Many different seat configurations and sealing elements EPDM, NBR, Viton, Silicone, FDA silicone, PTFE, RPTFE, Graphite...

Packing:

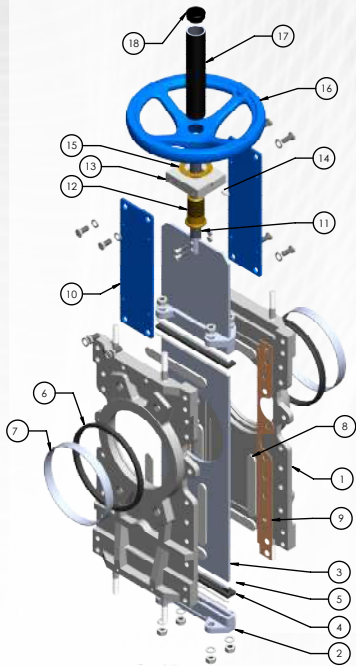
- High quality braided Synt+PTFE packing, other qualities such Pure PTFE or Graphite under specific demand.

·The valve is manufactured with different actuators such as: Manual (handwheel, gear box, chainwheel), double acting pneumatic, electric, hydraulic.

·Accessories: limit & inductive switches, solenoid valves, positioners, deflecting cones, flushing holes and stem extensions.

STANDARD PARTS LIST

Other materials under request depending on service conditions



Item	Part	Standard material	Stainless steel
1	Body	GJL250 (GG25), RAL 5015 coated	CF8M (AISI316)
2	Packing gland	Aluminium / Ductile iron GGG	CF8M (AISI316)
3	Gate	AISI304L (1.4307)	AISI316L (1.4404)
4	O'ring	EPDM	EPDM
5	Packing	Synt+PTFE	Synt+PTFE
6	Seat	EPDM	EPDM
7	Sealing ring	AISI304L / AISI316L	AISI316L
8	Internal sliders*	*(Only Stainless Steel version)	Cestilene HD1000
9	Gasket	BA-50	BA-50
10	Support plates	Steel, RAL 5015 coated	Steel, RAL 5015 coated
11	Spindle	AISI304 (1.4301)	AISI304 (1.4301)
12	Manouering nut	Brass	Brass
13	Support bridge	Steel, RAL 5015 coated	Steel, RAL 5015 coated
14	Oiling greaser	Standard	Standard
15	Washer	Brass	Brass
16	Handwheel	GJL250 (GG25), RAL 5015 coated	GJL250 (GG25), RAL 5015 coated
17	Stem protection tube	Steel, cataphoresis RAL 9005	Steel, cataphoresis RAL 9005
18	Stem protection cover	Plastic	Plastic
	Bolting	A2	A2

RVO - 02/2021

Zubi Reserves the right to change specifications without notice.

C/Hilanderas, 5 - Bajo | IRÚN | Guipúzcoa [Spain] · Tel: (+34) 943 63 52 71 · E-mail: zubi@valvulaszubi.com