

MODEL 113AR

TILTING DISC CHECK VALVE

Unidirectional valve that prevents fluid returning through the pipe. The assembly of the valve can be done either horizontally or vertically, used in industries such as:

- Pulp and Paper
- Wastewater treatment Plants
- Food and Beverage
- etc.

Main features:

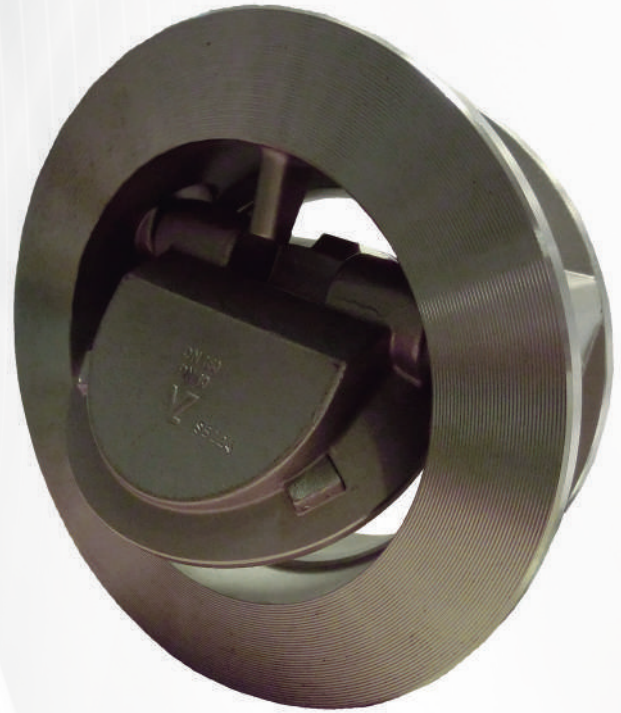
- Low pressure drop and opening pressure.
- Fast acting
- Metal seated (suitable for applications where absolute tightness is not necessary)
- Suitable for all the standard flanges Short Face to Face
- Quick closing reaction
- Short Face to Face
- Excellent tightness (Leakage 0,1 mm³ x DN with water)
- Directional arrow in the body showing correct mounting position.
- Doesn't need any maintenance
- For high performances and pressures

Sizes: DN 40 to DN 700 (larger diameters on request)

Working pressure: DN 40 to DN 300: 40 kg/cm²
DN 350 to DN 700: 25 kg/cm²

Standard flange connection: EN1092 PN 10/16/25/40
ANSI B16.5 (class 150/300)

- * Valves manufactured following European Pressure Equipment Directive PED 2014/68/EU. Fluid: Group 2 (b).
- * Higher pressure conditions, please check with the manufacturer.
- * All valves are tested.
- * Bigger sizes on request.



DESIGN FEATURES

BODY:

Wafer style cast monoblock.
Cast-in lift eye starting from DN 200 for easier installation.

DISC:

Cast circular, of lightweight designed for maximum strength and low inertia shape.

SHAFT:

Stainless steel heavy stub shafts are positioned to give maximum strength and accurate guiding to the tilting disc.
One-piece design for diameters up to DN 200, two piece for diameters over DN 250.
Seal welded covers on the exterior of the valve body.



CHARACTERISTICS

THE 113AR CHECK VALVE CONSISTS OF:

- Body
- Disc
- Shaft
- Covers

SIZES:

- DN 40 to DN 700

OPTIONS (ON REQUEST):

- Auxiliary spring
- Counterweight

STANDARD PARTS LIST

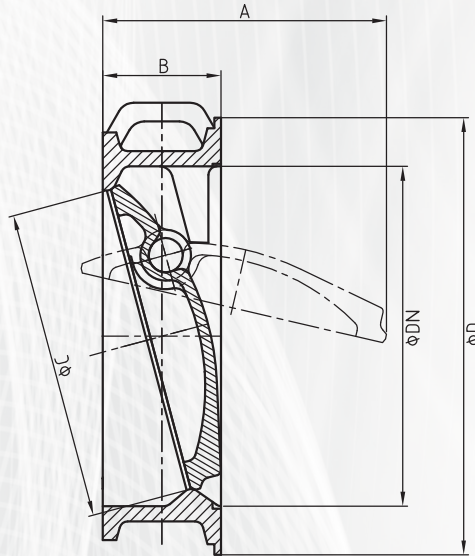
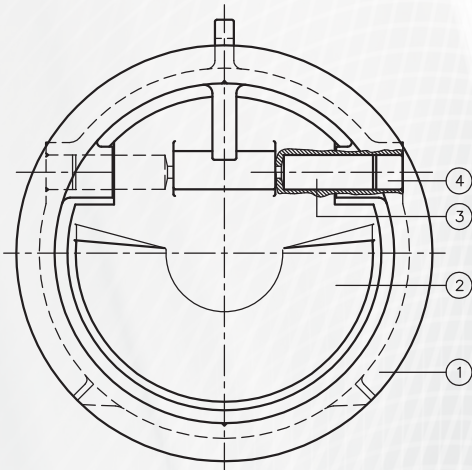
PART:

- | | |
|----------|-------|
| 1- Body | _____ |
| 2- Disc | _____ |
| 3- Shaft | _____ |
| 4- Cover | _____ |

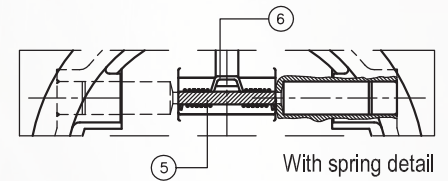
MODEL

113AR

STANDARD PARTS LIST



| PART: | STAINLESS STEEL: |
|---------------|------------------|
| 1 Body | CF8M |
| 2 Disk | CF8M |
| 3 Free stem | AISI316L |
| 4 Welded stem | AISI316L |
| 5 Rod | AISI316L |
| 6 Spring | AISI302 |



| DN | INCHES | A | B | øC | øD | | | | | Weight/Kg |
|-----|--------|-----|-----|-----|------|------|------|------|---------|-----------|
| | | | | | PN10 | PN16 | PN25 | PN40 | ANSI150 | |
| 40 | 1 1/2" | 46 | 33 | 34 | 93 | 93 | 93 | 93 | 84 | 1,2 |
| 50 | 2" | 57 | 43 | 44 | 107 | 107 | 107 | 107 | 102,5 | 1,5 |
| 65 | 2 1/2" | 67 | 46 | 58 | 127 | 127 | 127 | 127 | 121,5 | 2 |
| 80 | 3" | 87 | 64 | 72 | 142 | 142 | 142 | 142 | 134,5 | 3 |
| 100 | 4" | 100 | 64 | 90 | 162 | 162 | 162 | 162 | 172,5 | 5 |
| 125 | 5" | 117 | 70 | 112 | 194 | 194 | 194 | 194 | 194 | 7 |
| 150 | 6" | 135 | 76 | 135 | 219 | 219 | 224 | 224 | 219 | 8 |
| 200 | 8" | 178 | 89 | 180 | 273 | 273 | 284 | 291 | 273 | 17 |
| 250 | 10" | 220 | 114 | 225 | 329 | 329 | 340 | 352 | 337,5 | 27 |
| 300 | 12" | 262 | 114 | 270 | 378 | 384 | 401 | 418 | 407,5 | 35 |
| 350 | 14" | 303 | 127 | 315 | 438 | 444 | 458 | 475 | 448,5 | 55 |
| 400 | 16" | 355 | 140 | 365 | 490 | 496 | 515 | 542 | 512 | 65 |
| 450 | 18" | 390 | 152 | 420 | 539 | 556 | 565 | | 547 | 95 |
| 500 | 20" | 440 | 152 | 460 | 594 | 618 | 625 | 629 | 604,5 | 120 |
| 600 | 24" | 530 | 178 | 555 | 696 | 735 | 732 | | 715,5 | 180 |
| 700 | 28" | 610 | 229 | 650 | 811 | 805 | | | 828 | 250 |

*Leakage rate EN 12266-1 Table A

*Face to face (B) according to DIN 3202.

*Bigger sizes on request